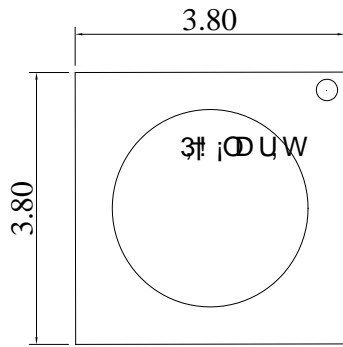


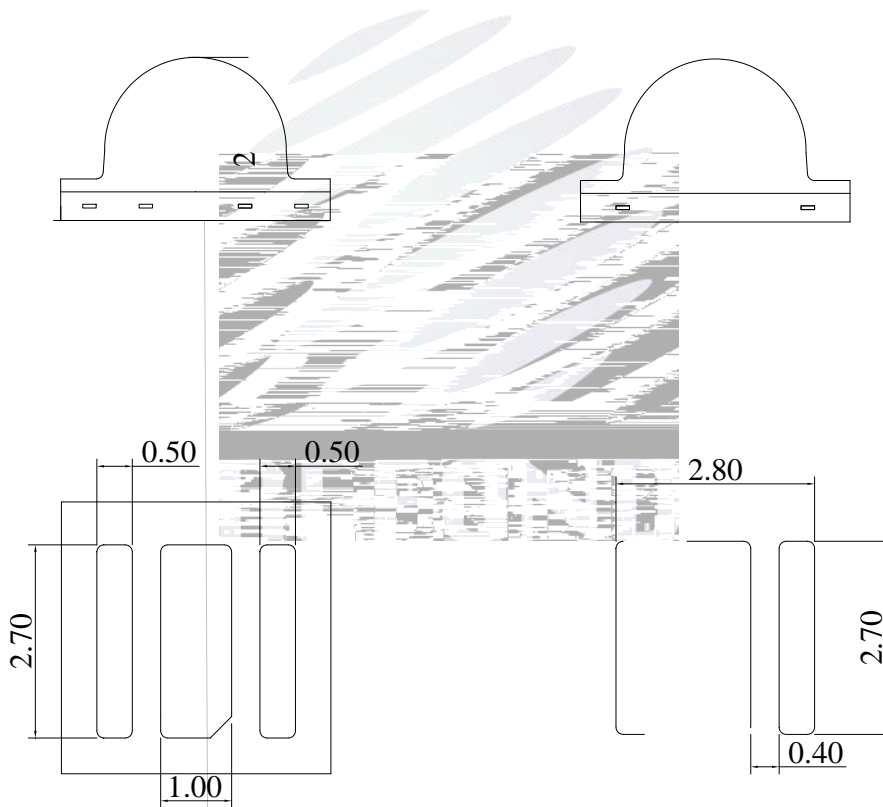
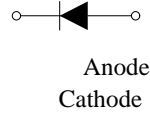
.....	10
.....	10
.....	11

G & D





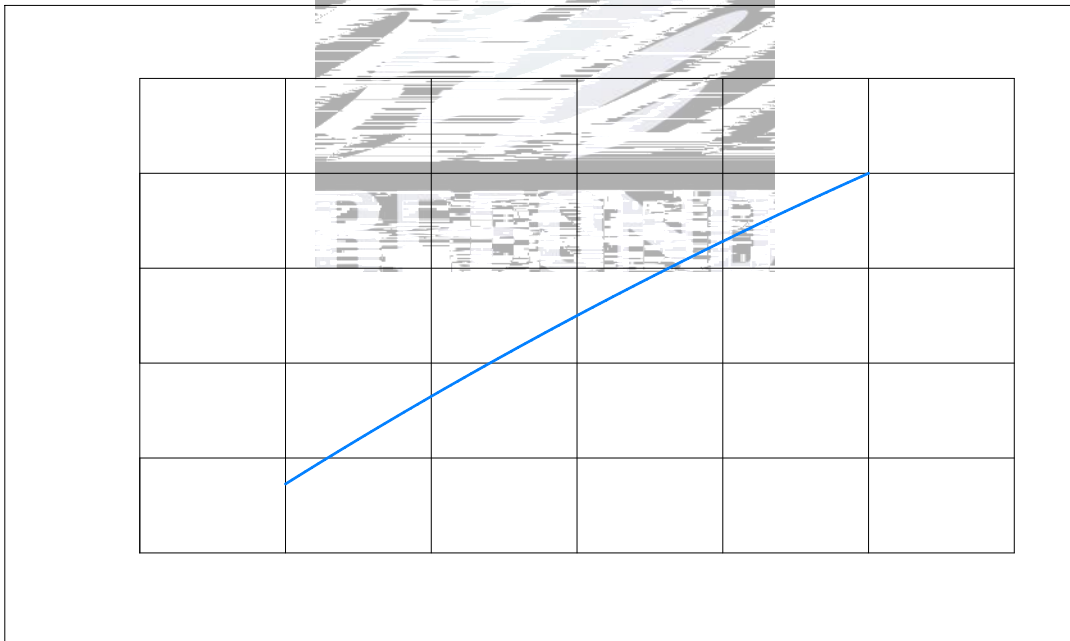
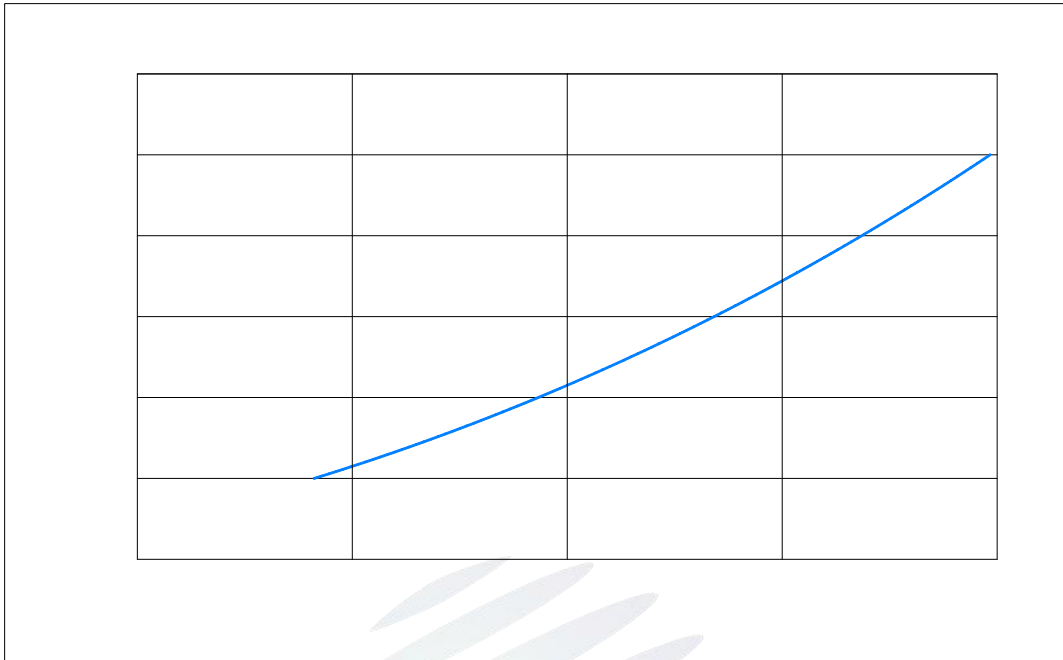
: J J



	$\lambda$					

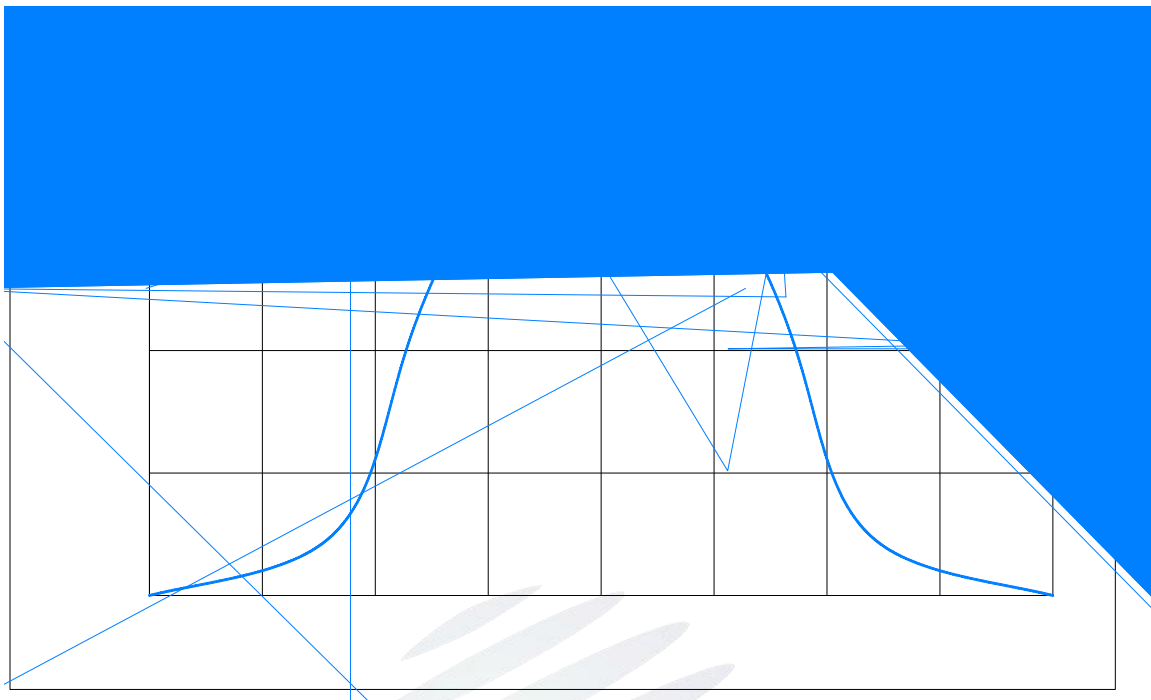


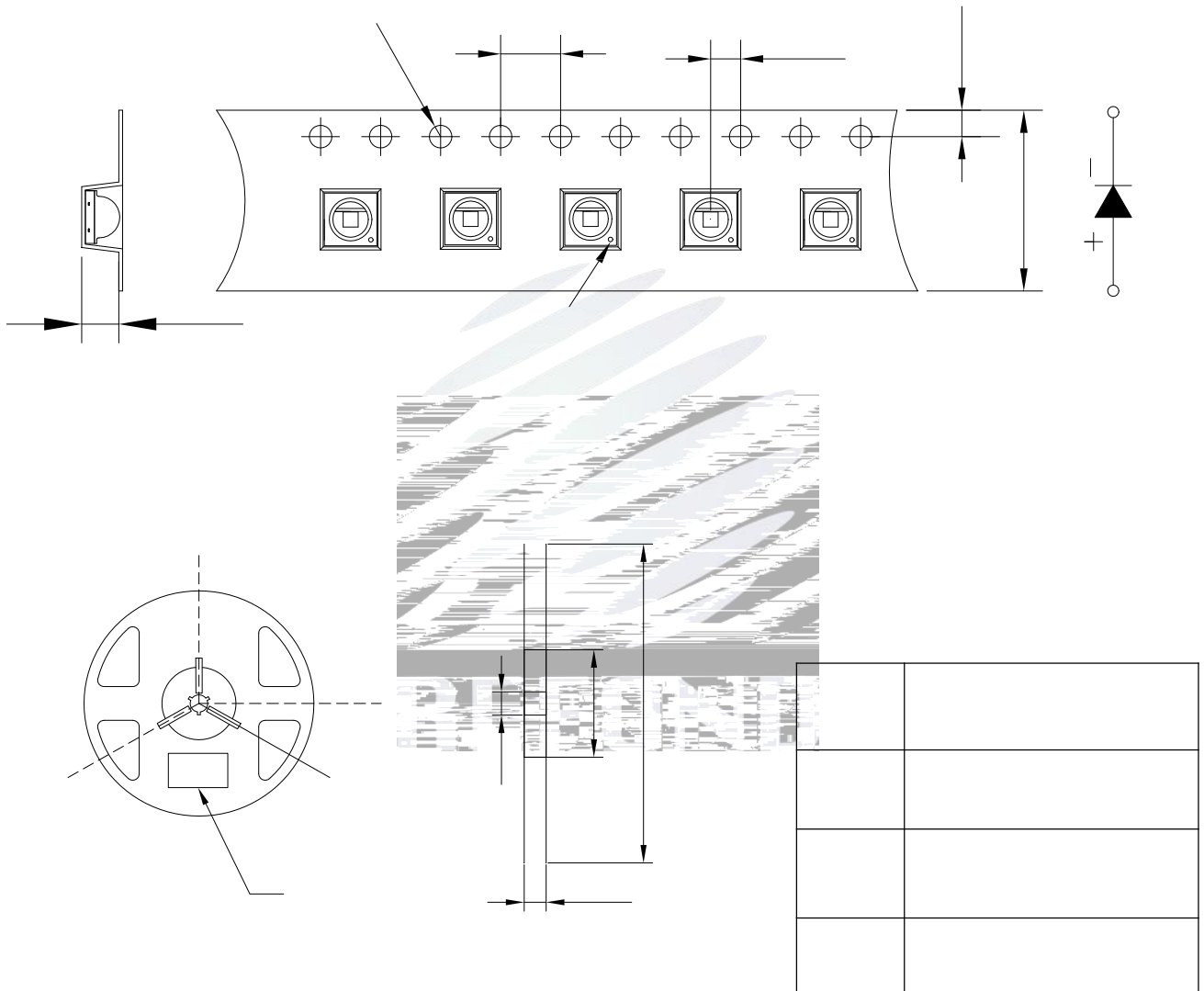










---

---

---

---

---

---

---

---

